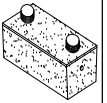
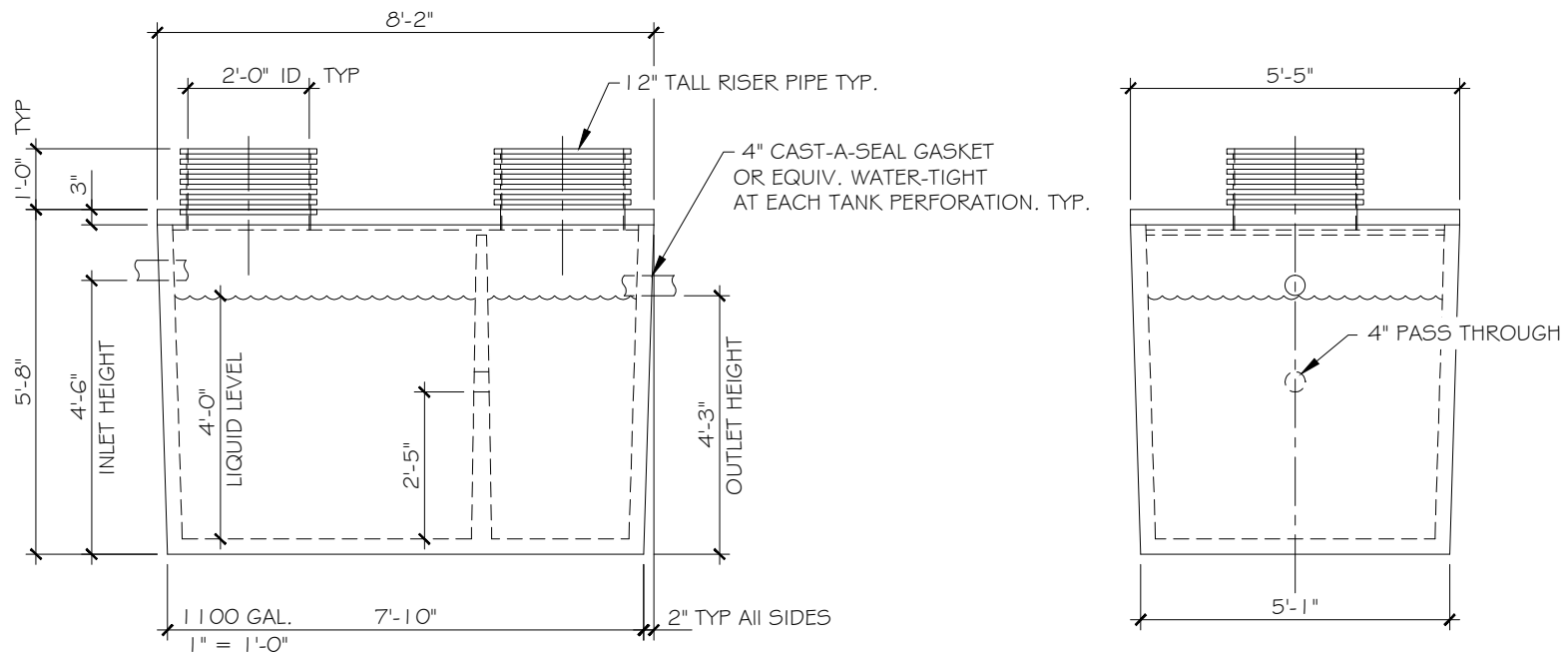


Note: 1. All TANKS COME WITH 1 2" TALL RISER PIPE AT THE 24" OPENINGS.

2. RISER LIDS NOT INCLUDED



**HB**  
PRECAST

REVISIONS
DATE:

Company

**HB PRECAST**  
594 West Elma Hicklin rd  
McCleary WA, 98557  
(360) 495-4156

SHEET TITLE  
**1100 GAL  
SEPTIC TANK**

SHEET DATA
DRAWN BY: GW
CHECKED BY:
SCALE: 1" = 1'-0"
DATE: 01-01-23
PROJECT:

SHEET NUMBER

**A1**

1 0 1